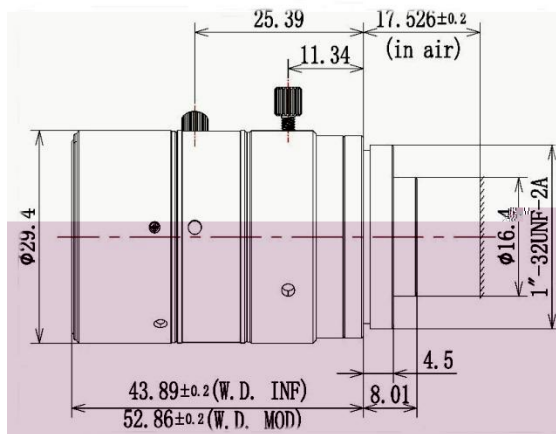


FEATURES

- ◆ Brand: ZLKC
- 2/3" C-Mount 50mm F2.8 10MP
- ◆ Shorter Working Distance
- ◆ Ensures Corner Brightness
- ◆ Nominal Distortion Design
- ◆ Compact design


SPECIFICATION

Low WD Lenses 50mm 2/3 C Mount 10MP

Model	LM5028MP10	
Image circle	2/3-inch (Φ 11.4)	
Focal length	50mm ±5%	
F No.	F2.8-16	
M.O.D(m)	0.3-Inf.	
Operation	Iris	Manual
	Focus	Manual
Horizontal Angle of View	2/3"Type	12.8°×10.2°×7.7°
	1/1.8"Type	9.7°×8.0°×5.4°
	1/2"Type	8.7°×7.0°×5.2°
Distortion	At 0.4m	-0.02%
Back focal length	11.8mm	
Flange Back Focal Length	17.526mm	
Mount	C-Mount	
Relative Illumination	70%	
(CRA)	3.9°	
Dimension	Φ29.4x43.9mm	
Weight	72.4g	
(Lens structure)	5groups, 7elements	
Filter Thread	M25.5*P0.5	
Working Temperature	-20°C ~ +60°C	