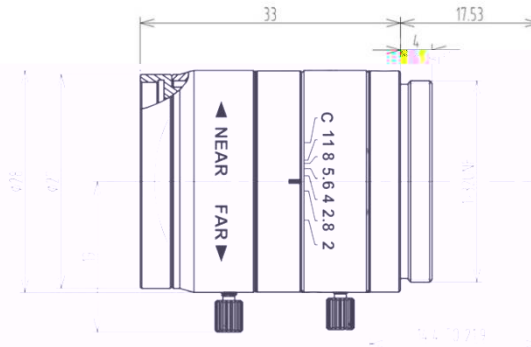


FEATURES

- ◆ Lens Brand: ZLKC
- ◆ -Mount 5mm F2.0 5MP
- ◆ Can suppress stray light
- ◆ High resolution, low distortion
- ◆ Small volume & Lightweight


SPECIFICATION

5MP 35mm Manual Iris Lens C Mount		Working Distance	Optical Magnification	1/1.8" Field of View(mm)		
Model	VM3520MP5	mm	-	H	V	
Image Size	1/1.8-inch	1000	0.036X	201.6	151.2	
Focal length	35mm	950	0.037X	191.3	143.5	
F No.	F2.0-C	900	0.040X	181.1	135.8	
M.O.D(m)	0.2-Inf.	850	0.042X	170.1	127.6	
Operation	Iris	Manual	800	0.045X	160.5	120.4
	Focus	Manual	750	0.048X	150.3	112.7
Horizontal Angle of View (D×H×V)	1/1.8"	12.24°×8.8°×7.0°	700	0.051X	140.0	105.0
	1/2.5"	11.1°×8.84°×6.7°	650	0.055X	129.8	97.3
	1/3"	9.3°×7.4°×5.5°	600	0.060X	119.5	89.6
Distortion	<0.1%	550	0.066X	109.2	81.9	
BFL	19.0mm	500	0.073X	99.0	74.2	
Mount	C-Mount	450	0.081X	88.7	66.5	
Object Dimension	57.9mm×43.4mm (WD=300mm)	400	0.092X	78.4	58.8	
Dimension		350	0.105X	68.2	51.1	
Weight	48.0g	300	0.124X	57.9	43.4	
Filter Thread	M25.5x 0.5	250	0.151X	47.6	35.7	
Working Temperature	-20°C ~ +60°C	200	0.193X	37.3	28.0	