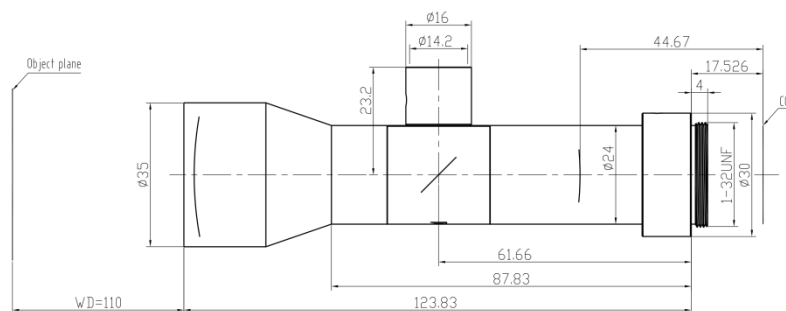


标准定倍远心镜头

HM05X110CT



Model	HM05X110CT	
CCD Max Image Size	2/3-inch	
Magnification	0.5 X	
WD (mm)	110	
F/# Working F/#	9.3	
Object NA(mm)	0.027	
Depth of field(mm)	0.83	
Distortion	<0.05%	
Resolution		
FOV WxH (mm)	2/3"(8.8x6.6)	17.6x13.2
	1/1.8"(7.13x5.37)	14.3x10.7
	1/2"(6.4x4.8)	12.8x9.6
(° max)	<0.1°	
Mount	C-Mount	
TTL	141mm	

