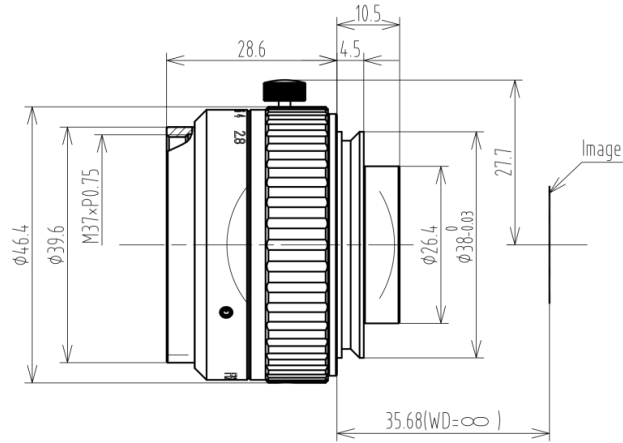


ZLKC
 43.2mm f=40mm V
 4k/7 μ

PCB



43.2mm 40mm				
Model		TM4004K10		
Max Image Circle		43.2		
Focal length		40mm		
F No.		F2.8		
Distortion		<0.5%		
Operation		Iris	Manual	
		Focus	Manual	
(Flange BFL)		37.31mm/40.1mm/49.34mm		
Mount		V-Mount		
Dimension		46.4×28.6mm		
Filter		M37x 0.75		
Working Temperature		-20°C +60°C		
Working Distance(mm)	Optical Magnification	Conjugate Distance(mm)	Image Distance(mm)	43.2 Field of View(mm)
1051.4± 5	0.04X	1117.3± 9	27.65± 2.5	1085.3
400± 5	0.1X	468.67± 9	30.43± 2.5	402.9
140.7± 5	0.33X	218.65± 9	39.68± 2.5	130.8

