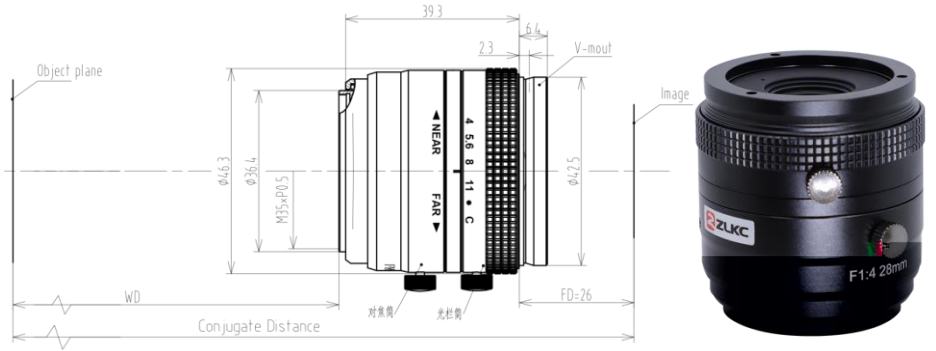


7, 2 P
 万
 =



		30mm	28mm		
Model		TM2904K10			
Max Image Circle		30			
Focal length		28mm			
F No.		F4.0			
Distortion		<0.1%			
Operation	Iris	Manual			
	Focus	Manual			
(Flange BFL)		26mm			
Mount		V-Mount		M42	
Dimension		46.3×39.3mm			
Filter		M35x 0.5			
Working Temperature		-20°C		+60°C	
Working Distance(mm)	Optical Magnification	Conjugate Distance(mm)		28 Field of View(mm)	30 Field of View(mm)
594.7 5	0.05X	661.5 9		560	600
299.7 5	0.1X	368.0 9		280	300
103.0 5	0.3X	177.2 9		93.3	100

